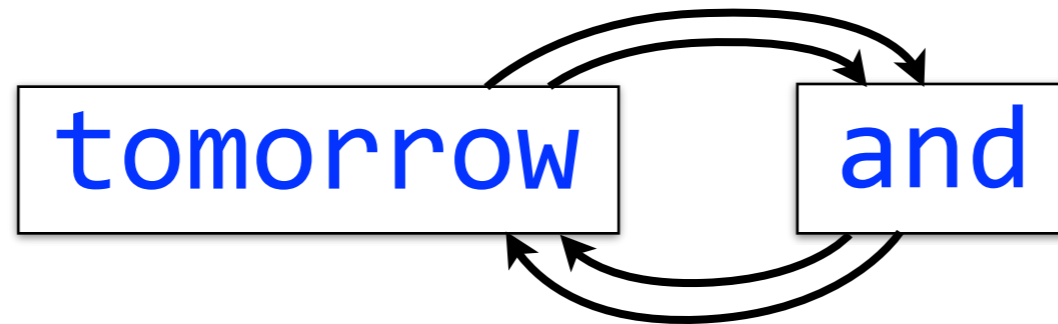


De Bruijn graph

“tomorrow and tomorrow and tomorrow”

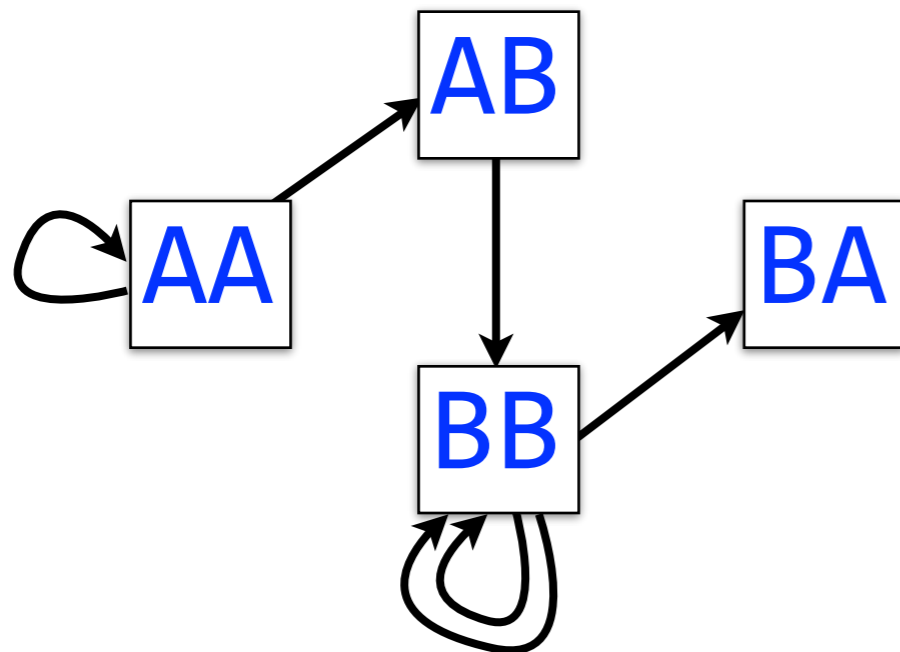


De Bruijn graph

genome: **AAABBBBA**

3-mers: **AAA, AAB, ABB, BBB, BBB, BBA**

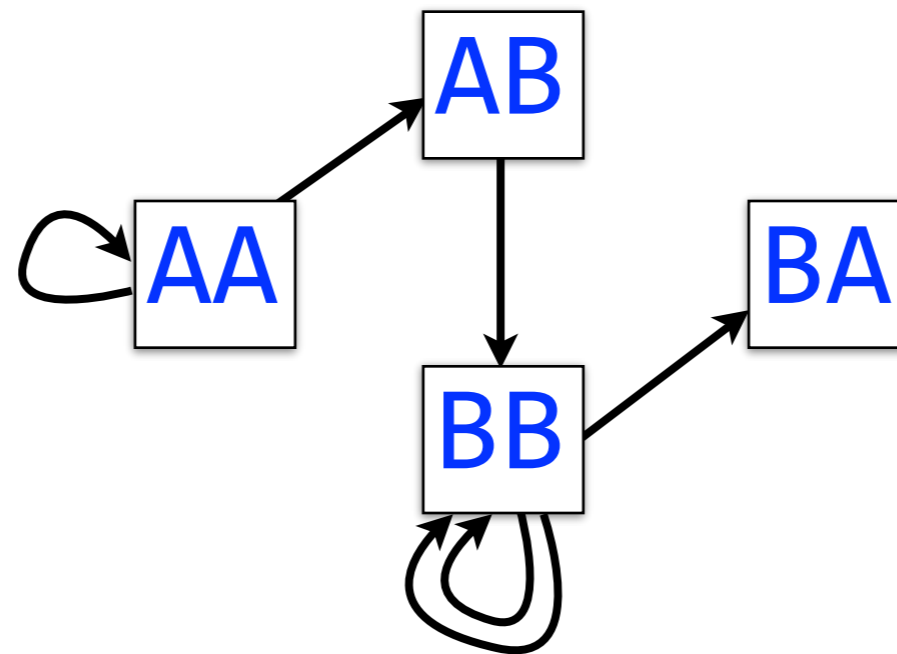
L/R 2-mers: **AA, AA** **AA, AB** **AB, BB** **BB, BB** **BB, BB** **BB, BA**



One edge per k -mer

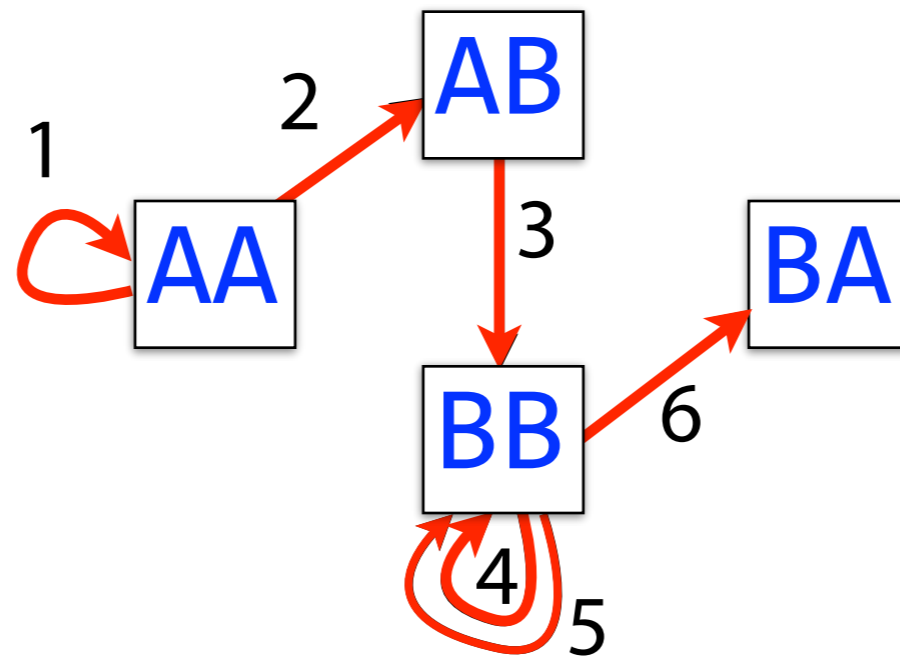
One node per distinct $k-1$ -mer

De Bruijn graph



Walk crossing each edge exactly once gives a reconstruction of the genome

De Bruijn graph



AAABBBBA

Walk crossing each edge exactly once gives a reconstruction of the genome. This is an *Eulerian walk*.